

ADC ALERT

Volume 114, Issue 15

8/25/2014



AUGUST IS NECO LABOR DAY SALE-A-THON MONTH

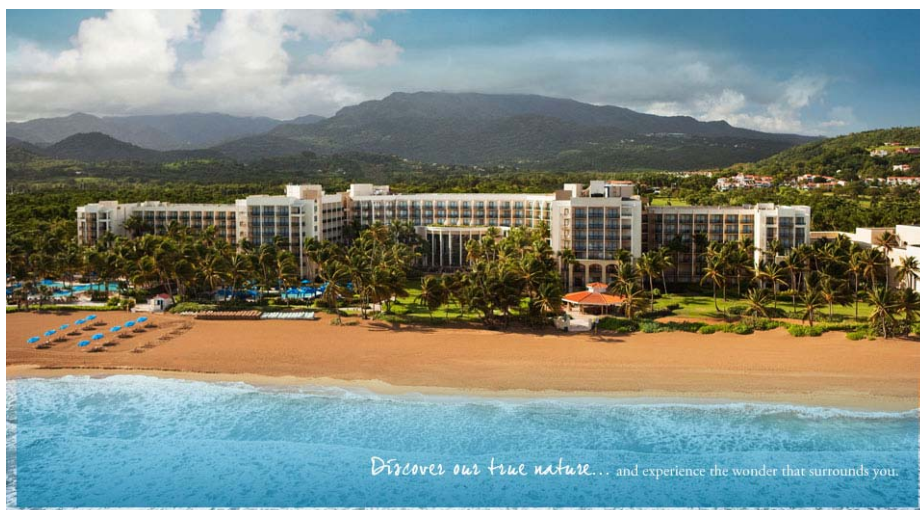
Appliance Dealers Cooperative Dealer-Vendor Trip 2015

 **WYNDHAM GRAND**
Rio Mar Beach Resort & Spa
Puerto Rico

February 22 - 26, 2015

ATTENDANCE LIMITED TO 30 DEALERS

Attached is a preliminary registration which, upon completion, should be faxed (609-235-1001) or Emailed (adc@adc.coop) to ADC (attn: Sue) by Fri, Aug 29th.



YOU CAN COUNT ON US!!!

This is confidential information intended only for the use by ADC's members, and any member who copies, distributes, or otherwise discloses such information shall be subject to suspension or termination of membership privileges, and may be subject to additional legal action as appropriate

©2014 Appliance Dealers Cooperative, PO Box 7538, Monroe Twp., NJ 08831

ADC Alert

GENERAL INFORMATION
August 2014

ADC's Office and Warehouses will be closed on Monday, September 1, 2014 in Observance of Labor Day

There will be no deliveries or pick-ups on September 1st.



Please plan the prior week's deliveries and pick-ups accordingly with regard to holiday traffic on Friday, August 29th.

Have as much stock as you will need for the weekend delivered to you earlier in the week to avoid congestion and late deliveries on Friday.

Normal deliveries and pick-ups will resume on Tuesday, September 2nd.

AUGUST IS NECO LABOR DAY SALE-A-THON MONTH

ADC Alert

GENERAL INFORMATION August 2014



May 21, 2014

Dear NECO dealer,

Effective June 2, 2014 the NECO rebate center will be closing and will be assumed by a company called 360. **The new phone number for 360 is: 866-298-1195.** Many of you may be aware of 360 as they already do many of the employee incentives program from the major manufacturers. Our current set up has served us well, but we felt that 360 can provide better future opportunities for online rebate claims, expedited processing and computer interfaces. 360 has an excellent reputation and we have every confidence they will do a great job.

From a process standpoint everything will be remaining the same. Most of our current rebate staff will become 360 employees and we will be using the same software we have now until we migrate over to 360's platform in October. **If you are a dealer that runs your own rebates and utilized the NECO center to do so, we will set you up with the appropriate 360 personnel to get your new account set up.**** Contact your group merchandiser for additional information on.

We are excited about this change as 360 has many more capabilities than we had and once we migrate on to their system you will see a more robust reporting, tracking and consumer interface.

Thank you for your support during this transition.

Sincerely,

Anthony Bruno
Executive Director

****Contact information for dealership specific rebates
Kevin Martin | Enterprise Solutions Executive | 360incentives
P. 888.665.4927 x103 | M. 519.771.5473 | F. 866.877.0897**

AUGUST IS NECO LABOR DAY SALE-A-THON MONTH

ADC Alert

GENERAL INFORMATION August 2014

**THE 2014 NECO SHOW
AT FOXWOODS
SETTING A NEW STANDARD**

**WHY SHOULD
YOU JOIN THE FUN?**

1. Opportunity to see vendors and new products to improve displays
2. See new categories to make extra money!
3. NECO University Training event to improve marketing and sales execution
4. Spend time with other dealers to share ideas and best practices!

Registration website:
<https://www.regonline.com/2014NECOShow>

WE'LL SEE YOU THERE!

Monday, Sept 15, & Tuesday, Sept 16, 2014
Foxwoods Resort Casino
350 Trolley Line Boulevard
Mashantucket, CT 06338

*Deadline for hotel registration
is August 28th*

AUGUST IS NECO LABOR DAY SALE-A-THON MONTH

ADC Alert

INVENTORY UPDATES August 2014

AUGUST 2014 EOMS

PLEASE CHECK YOUR OWNER'S EMAIL FOR THE MOST RECENT LISTING OF EOM'S.
Specials updates are emailed everyday to the Owner's email.

ORDER ALLOCATION:

Even though ADC has a policy of First come-first serve, we run into situations that calls for allocation of orders so more members can get merchandise. ADC does allocate such orders based on availability of the models.

FRIEDRICH

Attached is information regarding Friedrich's online and mail-in Room Air Conditioner Rebates

FRIGIDAIRE

Attached are the spec sheets for Frigidaire's new washer and dryer models FFFW5000QW & FFQE5000QW\FFQG5000PW

GE

Fall Dealer Training - September 9 & 10
Located at ADC's Board Room - 2 sessions each day
See attached for additional information and registration form

AUGUST IS NECO LABOR DAY SALE-A-THON MONTH

ADC Alert

Programs and Manufacturer Rebates August 2014

IMPORTANT REBATE AND CONSUMER FINANCE CODE INFORMATION:

NECO rebates and consumer finance codes are available on www.necorebatelist.com. Your Retail deck username and password will give you access to this website. To access and track your rebates only, log on to: www.rebates.necoalliance.com/MemberLogin.php. Please use your retail deck username and passwords to access this website also.

NATIONWIDE PROMOTIONS

All Nationwide Promotions (rebates and consumer finance codes) are available to all ADC/NECO dealers on the Nationwide website: www.nationwidemember.com. This website is also password protected. If you do not have your username and password, please contact Arti or Laura @ 609-235-1000.



Clearance Center (SDCC)
Have you checked out your clearance center lately?
Tremendous values on many discontinued models.
Limited quantities, first come basis.

Brand Consumer Instant Rebates

******Limited to ADC Inventory******

Brand Consumer Instant Rebate information will no longer be listed in the Alert, but will be e-mailed directly to all Dealer Principals / Owners.

AUGUST IS NECO LABOR DAY SALE-A-THON MONTH

Appliance Dealers Cooperative Dealer-Vendor Trip



February 22 - 26, 2015

ATTENDANCE LIMITED TO 30 DEALERS

This is a preliminary registration.

Fax (609-235-1001) or Email (adc@adc.coop) this completed form to ADC (attn: Sue) by Fri, Aug 29th.
You will be receiving an email from Sterling Events at a later date to complete your registration.

Cost per couple: \$4,000.00 (offer limited to dealer principals only).

What's Included: Contractually negotiated double occupancy hotel accommodations and roundtrip coach air transportation for two. Breakfast each morning, a Cocktail Hour all 4 evenings, a Reception Dinner will be provided the evening of arrival (February 22) and a trip Farewell Dinner will be provided the evening of February 26. Ground transportation to and from San Juan's airport.

Not Included: personal recreational activities, incidentals and items of a personal nature.



- \$1,500.00 *non-refundable* deposit billed September 2, 2014*
- \$2,500.00 balance due by November 1, 2014
(balance is non-refundable after this date)

Please indicate payment method for this trip:

- Bill my store \$1,250.00 monthly starting on October 1, 2014
- Bill me in full on November 1, 2014

Please Note That Any Balance Due On November 1, 2014 Will Be Billed In Full
***Cancellation Policy: All cancellations will incur penalties after October 1, 2014.**

Passenger 1: _____

Passenger 2: _____

STORE NAME - #

DATE

EMAIL ADDRESS

SIGNATURE

Online Rebate

Eligible Models

P08S	\$30
P10S	\$40
PH14	\$60
EP08	\$50
EP12	\$50
EP18	\$50
EP24	\$50
EQ08	\$50
ES12	\$50
ES16	\$75
EM18	\$75
EM24	\$75
EL36	\$100
YS10	\$75
YS12	\$75
YM18	\$75
YL24	\$150
UE08	\$50
UE10	\$100
UE12	\$75
WE10	\$50
WE12	\$50
WY09	\$100
WY12	\$100

Thank you for your purchase of a Friedrich air conditioner. If you have purchased one of the models listed here, you may qualify for a **manufacturer rebate**.

To be eligible, you must have purchased the unit from an Authorized Appliance Dealer* between September 1 and December 31, 2014. To find an Authorized Appliance Dealer near you or to confirm that your purchase meets this qualification, please visit us at <http://www.friedrich.com/find-dealer/>, check the box for Authorized Appliance Dealer and search by address, city/state or zip code.

Use the online submission to get your rebate!

Applying is easy as 1-2-3. Apply online – mail confirmation & receipt – get paid!

1. To apply, go to <http://www.friedrich.com/support-downloads/rebate-information> and click 'Start Here'. You will be asked for the following information:
 - Purchase date
 - The Authorized Appliance Dealer where you purchased your unit. Please note, the Dealer name you select must match the dealer on your sales receipt.
 - Model number
 - Serial number**
 - Mailing & contact information

Once you have entered all the necessary information, click 'Apply for Rebate'.
2. Print the confirmation page and mail it with a copy of your sales receipt to the address shown. You will also receive an email confirmation. We must receive the confirmation and sales receipt in order to finalize your rebate claim and they must be postmarked no later than January 15, 2015. No email please.
3. Upon review & acceptance of your submission, we'll mail you a check. Please allow 6-8 weeks for payment from the time we receive your confirmation and sales receipt.

*Purchases made from an Authorized HVAC Distributor, Parts Dealer, Service & Repair or Manufacturer's Rep Firm do not qualify for a rebate.

** The serial number will be four letters followed by five numbers and can be found on the UPC Label on the box/carton your unit came in. You can also find it behind the front cover of the unit on a barcode label.

SAMPLE CARTON LABEL:



SAMPLE BARCODE LABEL:





FRIEDRICH

Room Air Conditioner Rebates

Limited time offer. While supplies last.

ALTERNATIVE

Mail-In Rebate

Eligible Models

P08S	\$25
P10S	\$35
PH14	\$55
EP08	\$45
EP12	\$45
EP18	\$45
EP24	\$45
EQ08	\$45
ES12	\$45
ES16	\$70
EM18	\$70
EM24	\$70
EL36	\$95
YS10	\$70
YS12	\$70
YM18	\$70
YL24	\$145
UE08	\$45
UE10	\$95
UE12	\$70
WE10	\$45
WE12	\$45
WY09	\$95
WY12	\$95

Qualifying purchase MUST be made between September 1 and December 31, 2014. Only the models listed on this form are eligible for a rebate, and must be purchased under program rules. The original rebate form must be COMPLETELY FILLED OUT. Model number and serial number are required to process claims. If your unit came with the original carton, this information is located on the UPC label. (sample pictured below). If you don't have the original carton you may consult your operating guide (or visit our website at <http://www.friedrich.com/support/how-to> for location of model number and serial number on the unit.

Check our website to submit your rebate online.

Complete the following:

Friedrich Dealer Name _____

Date Purchased _____

Model # (REQUIRED) _____ Serial # (REQUIRED) _____

First Name _____ Last Name _____

Address _____

Apt./Ste. # _____

City _____ State _____

Zip _____

Email Address _____

May we contact you via email? Yes, please send me the latest Friedrich news and special offers.

Attach a copy of the sale receipt

Be sure the sales receipt lists the model number and name of the authorized dealer (credit card slips will not be accepted). The purchase date must be between September 1 and December 31, 2014. Mail this completed rebate form along with a copy of the sales receipt to:

Friedrich Rebate
10001 Reunion Place, Suite 500
San Antonio, TX 78216

Envelope must be POSTMARKED by January 15, 2015.

Please allow 10-12 weeks for processing of rebates that are not submitted on the Friedrich website.

SAMPLE CARTON LABEL:



SAMPLE BARCODE LABEL:



Need help finding the serial number on your air conditioner?

To see a video showing the location of the model and serial numbers on the actual unit, go to: <http://www.friedrich.com/support/how-to>

PROGRAM RULES... PLEASE READ CAREFULLY. Only eligible models purchased from an Authorized Appliance Dealer qualify for a rebate. Qualified models are subject to change based on availability. Claims from unauthorized appliance dealers or reseller will not be accepted. Purchases made from an Authorized HVAC Distributor, Parts Dealer, Service & Repair or Manufacturer's Rep Firm do not qualify for a rebate. Friedrich Air Conditioning is not responsible for late, lost or misdirected mail. Claims postmarked after January 15, 2015 will not be honored and will be returned unpaid. Rebate checks are valid for 120 days from the date of issue. Uncashed checks will not be reissued.

EMA Buy This Way Fall 2014



Electrolux



- FAFW3001 Pair (prior)

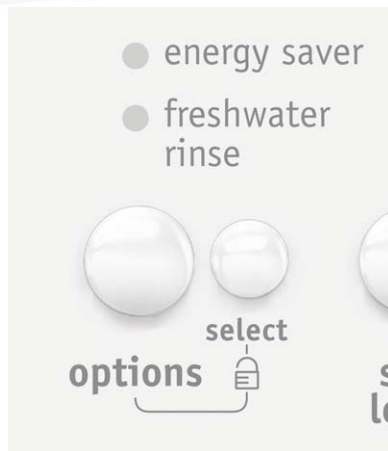


- FAFW3801 Pair (prior)



**New model FFFW5000QW & FFQE5000QW \
FFQG5000PW**

EMA Buy This Way Fall 2014



- **FFFW5000QW**
 - 7 Wash Cycles
 - 3.9 Cu. Ft. D.O.E.
 - Stain Clean Option
 - Delay Start
 - End-Of-Cycle Signal
 - Ready-Select® Controls
 - TimeWise® Technology
 - Wash time equals dry time
 - SilentDesign™
 - Designed for quiet operation.
 - Stay-Fresh™ Antimicrobial Seal
 - Automatic Water Level Control
 - Optional Pedestal Drawer
 - Vibration Control System
 - Advanced vibration control keeps even oversized loads balanced for smooth, quiet operation. **Ideal for second floor installation.**
 - Add-a-Garment
- **FFQE5000QW \ FFQG5000PW**
 - 6 Dry Cycles
 - 7.0 Cu. Ft. D.O.E.
 - Precision Dry™ Moisture Sensor
 - Timed Dry Cycles
 - Multiple Dryness Levels
 - Ready-Select® Controls
 - Auto Dry Cycles
 - Control Lock
 - Dryness Selections
 - More Dry, Normal, Less Dry or Damp



Front Load Washer

FFFW5000QW

7 Wash Cycles
3.9 Cu. Ft. D.O.E.



Optional SpaceWise® Pedestal Drawer Shown

Signature Features

Advance Rinse Technology

Final rinse uses fresh water to ensure whiter whites and reduce allergens.

Stainless Steel Drum

Smooth, durable interior is rust-proof and won't snag clothes.

Large Capacity

Finish more in less time with our 3.9 cu.ft. D.O.E. capacity — the washer can fit two baskets of laundry in a single load.

Tumble Action Cleaning System

By removing the agitator, you can count on the tumble action to wash gently and rinse completely, ensuring your clothes feel fresher and last longer.

Product Dimensions

Height	36"
Width	27"
Depth	30-9/16"

More Easy To Use Features

ENERGY STAR®-Qualified

Stain Clean Option

Delay Start

Begin your washing cycle at the time that works best with your schedule.

End-Of-Cycle Signal

Ready-Select® Controls

It's easy to get laundry started with just the touch of a button.

TimeWise® Technology

Wash time equals dry time — so you don't wait for clothes to dry.

SilentDesign™

Designed for quiet operation.

Stay-Fresh™ Antimicrobial Seal

Auto Options

Automatic Water Level Control

Optional Pedestal Drawer

Vibration Control System

Advanced vibration control keeps even oversized loads balanced for smooth, quiet operation. Ideal for second floor installation.

Add-a-Garment

With just the touch of a button, easily add an extra piece to the washer once a cycle has started.

ENERGY STAR®



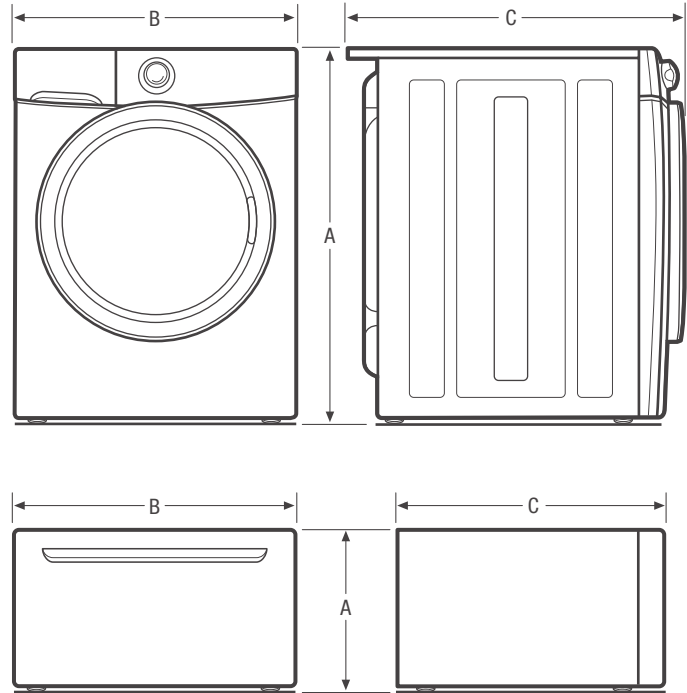
Available in:



Classic White (W)

Features	
Total Capacity D.O.E. (Cu.Ft.)	3.9
Controls	Ready-Select*
Washer Drum Interior	Stainless Steel
Lifetime Warranty Tub	Yes
Interior Light/ Door Trim	No/White
Vibration Control System	Yes
Advanced Rinse Technology	Yes
TimeWise* Technology	Yes
Ready Clean™/Ready Steam™	
Fresh Water Rinse Option	Yes
Stay-Fresh™ Door Seal	Yes
Automatic Temperature Control	Yes
Automatic Water Level Adjustments	Yes
Auto Prewash Detergent Dispenser	
Auto Bleach Dispenser	Yes
Auto Detergent Dispenser	Yes
Auto Fabric Softener Dispenser	Yes
Time Remaining Indicator	Yes
Cycle Status Lights	Yes
Cycle Signal/Cycle Signal "On/Off"	Chime/Yes
Cycle Signal Volume Control	
Door Lock Indicator Light	Yes
Control Lock/Stay Put Door	Yes/Yes
Start/Pause/Cancel Buttons	Yes
Energy Saver Option	Yes
Delay Start	Up to 10 Hours
Integral Water Heater	
Tumble Speed (RPM)	Variable
Spin Speed (Maximum RPM)	1,200
Sound Package	SilentDesign™
Adjustable Leveling Legs	Yes
Cycles	
Wash Cycles/Specialty Cycles	7/0
Options	
Water Temperature Selections	5
Water Levels	Automatic/Max Fill
Spin Speed/Soil Level Selections	5/5
Allergen	
Optional Accessories	
Dryer Stacking Kit	PN# STACKIT4X
15" Frigidaire® Pedestal Drawers	
Classic White (W)	PN# CFPWD15W
Mobile Home Installation Kit	PN# 137067200
Drain Hose Extension Kit	PN# 137098000
6' Stainless Steel Washer Fill Hose (2 pack)	PN# 5305516562
4' Rubber Washer Fill Hose (2 pack)	PN# 5308815006
Certifications	
ENERGY STAR®	Yes
NSF® Certified Sanitize/Allergen	
Specifications	
Power Supply Connection Location	Right Top Rear
Water Inlet Connection Location	Left Top Rear
Voltage Rating	120V/60Hz/15A
Connected Load (kW Rating) @ 120 Volts¹	1.1
Watts @ 120 Volts/Amps @ 120 Volts	1,100/10
Minimum Circuit Required (Amps)	15
Shipping Weight (Approx.)	222 Lbs.

¹For use on adequately wired 120V, dedicated circuit having 2-wire service with a separate ground wire. Appliance must be grounded for safe operation.

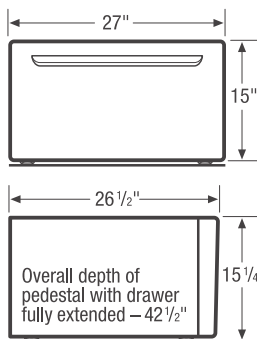
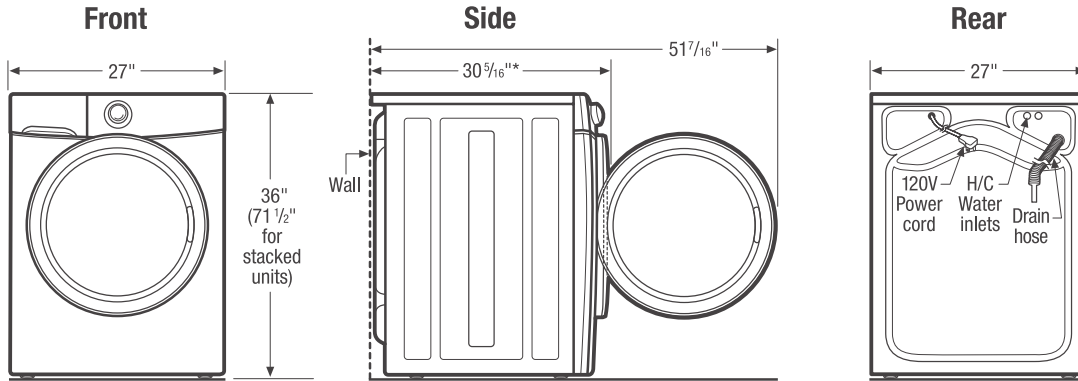


NOTE: For planning purposes only. Always consult local and national electric and plumbing codes. Refer to Product Installation Guide for detailed installation instructions on the web at frigidaire.com.



Product Dimensions	
A - Height (Single)	36"
Height (Stacked)	71-1/2"
B - Width	27"
C - Depth	30-9/16"
Depth with Door Open 90°	50-13/16"
Pedestal Dimensions	
A - Height	15-1/4"
B - Width	27"
C - Depth	26-1/2"
Depth with Drawer Fully Extended	42-1/2"

Accessories information available on the web at frigidaire.com

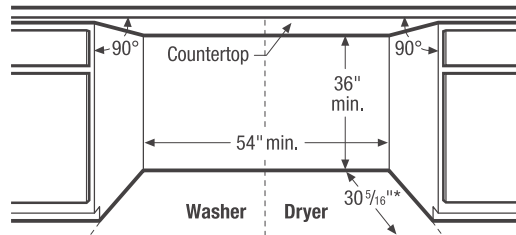


15" Pedestal Drawer Installation

Elevates washer height to 51 1/4". For detailed pedestal installation, refer to instructions included with pedestal or on web. **Note:** Pedestal Installation requires modified utility hookup locations. For details, refer to Product Installation Guide on web.

Built-In Installations

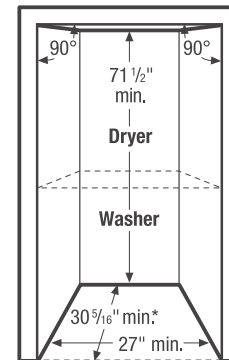
For built-in washer/non-steam dryer installations, NO minimum clearance required around sides or backs of units (see built-in illustrations). For washer installation with steam dryer, additional 3/4" steam hose clearance required at back of dryer. For closet installation, allow additional 1" clearance between fronts of units and door. Location of plumbing, exhaust and utility hookups MUST be considered in built-in installations. For additional installation details, refer to Product Installation Guides on web.



Side-by-Side Units in Under-Counter Installation

Can be installed with standard countertop and/or cabinetry.

* To achieve minimal installation depth dimensions, dryer MUST be vented straight back. For installation with quick-turn 90° elbow, refer to Product Installation Guide on web for approximate clearances incurred with multi-directional exhausting options in freestanding, pedestal-mounted, or stacked installation.



Stacked Units in Recessed or Closet Installation

For detailed stacked installation, refer to instructions included with Stacking Kit or on web. **Note:** Stacked installation requires modified utility hookup locations for dryer. For details, refer to Product Installation Guide on web.

Front Load Washer Specifications

- Product Shipping Weight (approx.) - 222 Lbs.
- An electrical supply with grounded three-prong receptacle is required. The power supply circuit must be installed in accordance with current edition of National Electrical Code (ANSI/NFPA 70) and local codes & ordinances. (Do not use same circuit as dryer.)
- Voltage Rating - 120V / 60 Hz / 15 Amps
- Amps @ 120 Volts = 10 Amps
- Equipped with 120V 3-wire power supply cord, approx. 60" long.
- Always consult local and national electric & plumbing codes.
- To maximize detergent effectiveness, ambient temperature should never be below 60° F.
- Can be installed alone, with or without optional 15" Pedestal Drawer, or stacked below matching Frigidaire® Dryer, which requires installation of optional Dryer Stacking Kit. (For installation details, refer to instructions included with optional pedestal or stacking kit or on web.)
- Can be built in with matching Frigidaire® Dryer in under-counter, recessed or closet installation. (Refer to Built-In Installations on this page for cutout dimensions. For additional installation details, refer to Product Installation Guide on web.)
- Closet installation requires vented door with 2 unobstructed louvered openings, minimum 60 sq. in. each, located 3" from top and bottom of door. Full-length 120 sq. in. opening also acceptable. Allow additional 1" clearance between fronts of units and closed door.
- Do NOT install in area exposed to dripping water or outdoor weather conditions, or where gasoline or other flammables, including automobiles, are kept or stored.

- Floor MUST be solid with 1" maximum slope. To minimize vibration or movement, reinforcement of floor may be necessary. Do NOT install on carpeted surface.
- Leveling legs supplied to level washer properly and reduce excessive noise and vibration.
- H/C water faucets MUST be installed within inlet hose length of washer's water inlet and MUST be 3/4" to connect to inlet hoses.
- Water pressure MUST be between 30 and 120 psi with NOT more than 10 psi pressure difference between hot and cold.
- Drain required with standpipe diameter of 1-1/4" min. and height of 24" min./96" max. above floor, capable of eliminating 17 gallons per minute. Attached 59" drain hose can reach 74"-high standpipe. For higher standpipe, optional Drain Hose Extension Kit available.

Note: For planning purposes only. Refer to Product Installation Guide on the web at frigidaire.com for detailed instructions.

Optional Accessories

- Dryer Stacking Kit - (PN# STACKIT4X).
- 15" Classic White Pedestal Drawer - (PN# CFPWD15W).
- Mobile Home Installation Kit - (PN# 137067200).
- Drain Hose Extension Kit - (PN# 137098000).
- 6' Stainless Steel Washer Fill Hose (2 pack) - (PN# 5305516562).
- 4' Rubber Washer Fill Hose (2 pack) - (PN# 5308815006).



Front Load Dryer

FFQE5000QW

6 Dry Cycles
7.0 Cu.Ft. D.O.E. Electric



Optional SpaceWise® Pedestal Drawer Shown

Product Dimensions

Height	36"
Width	27"
Depth	30-9/16"

More Easy To Use Features

Precision Dry™ Moisture Sensor
Dries even extra-large loads quickly and efficiently.

Timed Dry Cycles

Multiple Dryness Levels

Ready-Select® Controls
Easily select options with the touch of a button.

Auto Dry Cycles

Control Lock

Dryness Selections
Allow for better control over fabric care and the drying process. More Dry, Normal, Less Dry or Damp can be selected. More Dry is ideal for towels while Damp is perfect for items that will be ironed.

Available in:



Classic White (W)

Signature Features

Quick Dry

Dries even extra-large loads quickly and efficiently.

One-Touch™ Wrinkle Release

Prevents wrinkles, so your clothes look great every time. The Wrinkle Release System finishes by tumbling without heat.

Large Dryer Capacity

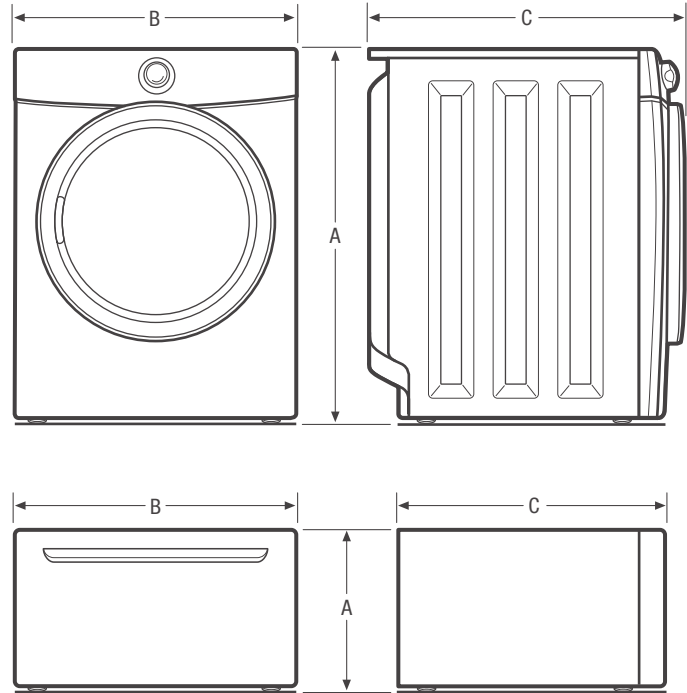
Finish more laundry in less time with our 7.0 cu.ft. D.O.E. dryer capacity.

Reversible Door

Choose which direction you want the door to open to accommodate your space.

Features	
Total Capacity D.O.E. (Cu.Ft.)	7.0
Controls	Ready-Select*
Dryer Drum Interior	Painted Steel
Interior Light	Yes
Door Trim	White
Ready Steam™	
DrySense™ Technology	Yes
Wrinkle Release Technology	Yes
TimeWise® Technology	Yes
Precision Moisture Sensor	Yes
Time Remaining Indicator	Yes
Cycle Status Lights	Yes
Cycle Signal	Chime
Cycle Signal "On/Off"	Yes
Cycle Signal Volume Control	
Control Lock	Yes
Start/Pause/Cancel Buttons	Yes
Energy Saver Option	
Delay Start	
Tumble Speed (RPM)	50
Reversible Door	Yes
Lint Screen	Yes
Sound Package	SilentDesign™
Adjustable Leveling Legs	Yes
Cycles	
Dry Cycles	6
Specialty Cycles	0
Options	
Temperature Selections	5
Dryness Level Selections	4
Timed Dry	30, 60, 90
Optional Accessories	
Dryer Stacking Kit	PN# STACKIT4X
15" Frigidaire® Pedestal Drawers	
Classic White (W)	PN# CFPWD15W
Mobile Home Installation Kit	PN# 137067200
Drying Rack	PN# 137067300
Certifications	
NSF® Certified Sanitize	
Specifications	
Maximum Exhaust Duct Length¹ (Ft.)	64
Power Supply Connection Location	Right Bottom Rear
Voltage Rating	240V / 60Hz / 30A
Connected Load (kW Rating) @ 240 Volts	5.4
Amps @ 240 Volts	24
Heating Element @ 240 Volts (Watts)	4,700
Shipping Weight (Approx.)	140 Lbs.

¹Rigid metal duct preferred, semi-rigid optional and allow deductions for elbows and vents. Refer to Installation Guide on web for additional information.

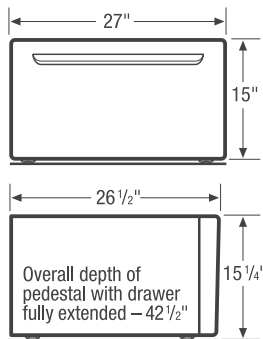
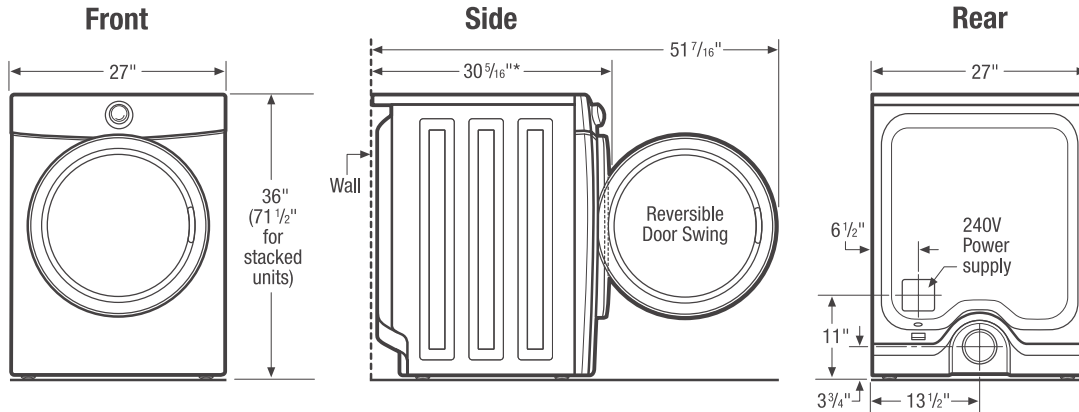


NOTE: For planning purposes only. Always consult local and national electric codes. Refer to Product Installation Guide for detailed installation instructions on the web at frigidaire.com.



Product Dimensions	
A - Height (Single)	36"
Height (Stacked)	71-1/2"
B - Width	27"
C - Depth	30-9/16"
Depth with Door Open 90°	51-7/16"
Pedestal Dimensions	
A - Height	15-1/4"
B - Width	27"
C - Depth	26-1/2"
Depth with Drawer Fully Extended	42-1/2"

Accessories information available on the web at frigidaire.com

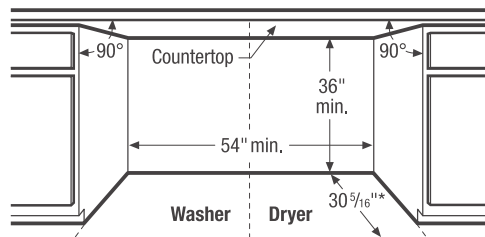


15" Pedestal Drawer Installation

Elevates dryer height to 51 1/4". For detailed pedestal installation, refer to instructions included with pedestal or on web. **Note:** Pedestal Installation requires modified utility hookup locations. For details, refer to Product Installation Guide on web.

Built-In Installations

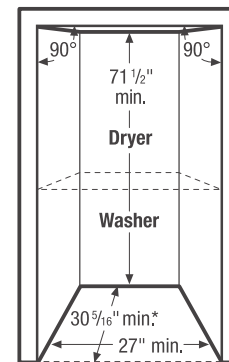
For built-in installations, NO minimum clearance required around sides or backs of units. For closet installation, allow additional 1" clearance between fronts of units and door. Location of plumbing, exhaust and utility hookups MUST be considered in built-in installations. For additional installation details, refer to Product Installation Guides on web.



Side-by-Side Units in Under-Counter Installation

Can be installed with standard countertop and/or cabinetry.

* To achieve minimal installation depth dimensions, dryer MUST be vented straight back. For installation with quick-turn 90° elbow, refer to Product Installation Guide on web for approximate clearances incurred with multi-directional exhausting options in freestanding, pedestal-mounted, or stacked installation.



Stacked Units in Recessed or Closet Installation

For detailed stacked installation, refer to instructions included with Stacking Kit or on web. **Note:** Stacked installation requires modified utility hookup locations for dryer. For details, refer to Product Installation Guide on web.

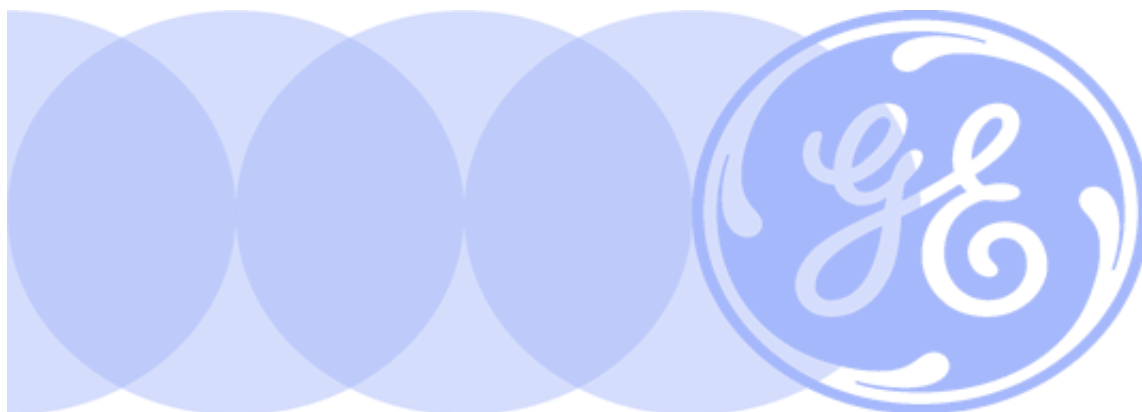
Front Load Dryer Specifications

- Product Shipping Weight (approx.) - 140 Lbs.
- An electrical supply with grounded three-prong receptacle is required.
- Voltage Rating - 240V/60 Hz/30 Amps
- Single phase 3- or 4-wire cable, 240 Volt, 60 Hertz AC only electrical supply with ground required on separate circuit fused on both sides of line. (Do not use same circuit as washer.)
- Connected Load (kW Rating) @ 240 Volts = 5.4kW
- Amps @ 240 Volts = 24 Amps
- Dryer MUST employ a 3-conductor NEMA 10-30 type SRDT or 4-conductor NEMA 14-30 type SRDT or ST (as required), rated at 240 volt AC minimum, 30 amp power supply cord marked for use with clothes dryers (not supplied).
- Grounding through neutral link prohibited in specific applications and certain locales, requiring use of 4-wire system. (For detailed electrical requirements, refer to Product Installation Guide on web.)
- Always consult local and national electric & plumbing codes.
- Can be installed alone, with or without optional 15" Pedestal Drawer, or stacked above matching Frigidaire® Washer, which requires installation of optional Dryer Stacking Kit. (For installation details, refer to instructions included with optional pedestal or stacking kit or on web.)
- Can be built in with matching Frigidaire® Washer in under-counter, recessed or closet installation. (Refer to Built-In Installations on this page for cutout dimensions. For additional installation details, refer to Product Installation Guide on web.)
- Closet installation requires vented door with 2 unobstructed louvered openings, minimum 60 sq. in. each, located 3" from top and bottom of door. Full-length 120 sq. in. opening also acceptable. Allow additional 1" clearance between fronts of units and closed door.
- Do NOT install in area exposed to dripping water or outdoor weather conditions; where gasoline or other flammables are kept or stored; or where dryer comes in contact with curtains, drapes or anything that will obstruct flow of combustion and ventilation air.
- For garage installation, dryer MUST be located minimum 18" above floor.
- Floor MUST be solid with 1" maximum slope. Do NOT install on carpeted surface.
- Dryer MUST exhaust to outside of building, NOT into any concealed space.
- Exhaust installation requires minimum 4"-diameter rigid or semi-rigid metal duct with approved, unobstructed vent hood having swing-out damper(s). If installing rigid metal duct (preferred), do not exceed MAXIMUM venting run length of 64 ft., allow deductions for elbows and vents. If installing semi-rigid metal duct, do not exceed MAXIMUM venting run length of 8 ft., always allow deductions for elbows and vents (Refer to Product Installation Guide on web for additional information). Do NOT use flexible plastic or metal foil duct and use shortest run possible.
- Leveling legs supplied to level dryer properly and reduce excessive noise and vibration.

Note: For planning purposes only. Refer to Product Installation Guide on the web at frigidaire.com for detailed instructions.

Optional Accessories

- Dryer Stacking Kit - (PN # STACKIT4X).
- 15" Classic White Pedestal Drawer - (PN # CFPWD15W).
- Mobile Home Installation Kit - (PN # 137067200).
- Drying Rack - (PN # 137067300).



2014 GE Fall Dealer Training

September 9 & 10

See your ASM for Sign-up Sheet, registration deadline **8/29**

TRAINING LOCATED IN CONFERENCE ROOM AT ADC HEADQUARTERS

2 Matirx drive

Monroe Township, NJ 08831

2 Sessions offered each day

(Only need to attend 1 session)

LUNCH PROVIDED 11:30-12:30 EACH DAY

SESSION 1

9 AM – 11:30 AM

SESSION 2

12:30 PM – 3 PM

****Please arrive at least 15 minutes prior to session start time****

Please join us to review the latest innovations in GE Appliances. We will walk you through our industry leading features and hone your selling skills for the upcoming selling season.

Plus enter to win an Advantium OTR!

- Speedcook oven (120)
- Over 175 preprogrammed menu selections
- Multiple cooking functions



Sign up at the registration table

