

ADC ALERT

Volume 114, Issue 15

10/10/2014



MARK YOUR CALENDARS

GENERAL MEMBERSHIP MEETING

Monroe Township

TUESDAY, October 28, 2014

2 Matrix Drive

Monroe Twp., NJ 08831

Lunch Served at 12 noon.

Meeting Begins at 12:30 p.m.

Pittsburgh

THURSDAY, October 30, 2014

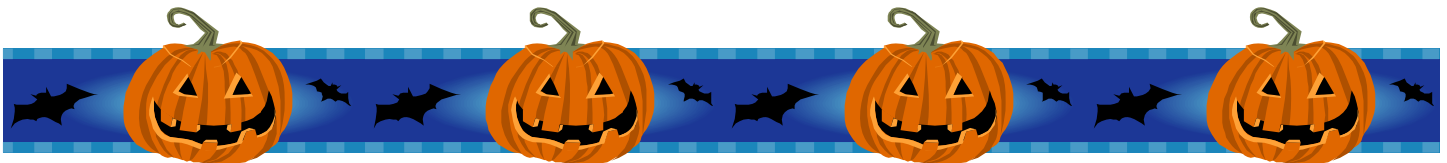
135 Solar Drive

Imperial, PA 15126

Meeting Begins at 11:00 a.m.

Lunch Served Promptly at 12 noon.

Black Friday Specials will be reviewed at the meeting.



YOU CAN COUNT ON US!!!

This is confidential information intended only for the use by ADC's members, and any member who copies, distributes, or otherwise discloses such information shall be subject to suspension or termination of membership privileges, and may be subject to additional legal action as appropriate

©2014 Appliance Dealers Cooperative, PO Box 7538, Monroe Twp., NJ 08831

ADC Alert

INVENTORY UPDATES October 2014

OCTOBER 2014 EOMS

PLEASE CHECK YOUR OWNER'S EMAIL FOR THE MOST RECENT LISTING OF EOM'S.
Specials updates are emailed everyday to the Owner's email.

ORDER ALLOCATION:

Even though ADC has a policy of First come-first serve, we run into situations that calls for allocation of orders so more members can get merchandise. ADC does allocate such orders based on availability of the models.

BOSCH

Bosch will once again be offering the HMV3051U "red clock" OTR as a companion to any of the Bosch Stainless Steel 300 and 500 series free standing gas and electric ranges also featuring "red clocks". It will be offered at its original MAP price of \$399 and arrive in stock late October. This model will only be available in stainless steel, no black or white "red clock" models will be available.

Pairs with the following stainless steel model "red clock" ranges:

HE/GS3053U'S

HE/GS5053U'S

HE/GS5L53U'S

Also please note that all of the new Bosch slide in ranges feature "white clocks" and all the of the new Bosch OTR's HMV302/5/62U-HMV5052U/HMV8052U/HMVP052U also feature "white clocks".

See attached for additional info and specs.

ADC Alert

Programs and Manufacturer Rebates October 2014

IMPORTANT REBATE AND CONSUMER FINANCE CODE INFORMATION:

NECO rebates and consumer finance codes are available on www.necorebatelist.com. Your Retail deck username and password will give you access to this website. To access and track your rebates only, log on to: www.rebates.necoalliance.com/MemberLogin.php. Please use your retail deck username and passwords to access this website also.

NATIONWIDE PROMOTIONS

All Nationwide Promotions (rebates and consumer finance codes) are available to all ADC/NECO dealers on the Nationwide website: www.nationwidemember.com. This website is also password protected. If you do not have your username and password, please contact Arti or Laura @ 609-235-1000.



Clearance Center (SDCC)

**Have you checked out your clearance center lately?
Tremendous values on many discontinued models.
Limited quantities, first come basis.**

Brand Consumer Instant Rebates

******Limited to ADC Inventory******

Brand Consumer Instant Rebate information will no longer be listed in the Alert, but will be e-mailed directly to all Dealer Principals / Owners.

30" Over-the-Range Microwave 300 Series - Stainless Steel HMV3051U



Features and Benefits

Key Features

- 1.6 Cu.Ft. Large Oven Capacity
- Popcorn Program - Get Fully "Popped" Popcorn Simply by Entering the Bag Size
- Two Speed Vent with up to 300 CFM Power

Design

- OTR Microwave Design-matched for Use in Combination with Bosch Range or Cooktop
- Exclusive Stainless Steel Handle
- Stainless Steel Colored Vent Grid
- Easy to Read LCD Display
- Available in Black, White and Stainless Steel

Performance

- 1000 Watts Microwave Power
- 10 Microwave Power Levels
- Two Speed Vent with up to 300 CFM Power
- Two 30 Watts Lights for Bright Cooktop Illumination

Convenience

- Easy to Use Touch Control
- Side-hinged Door Allows Full Access to Microwave Cavity
- Installation for Recirculation or Outside Venting
- Program Cooking with up to Two Cycles
- Reheat Setting Automatically determines Power Level and Cooking Time
- Potato Program Perfectly Prepares Baked Potatoes
- Automatic Defrost Automatically determines Power Level and Cooking Time

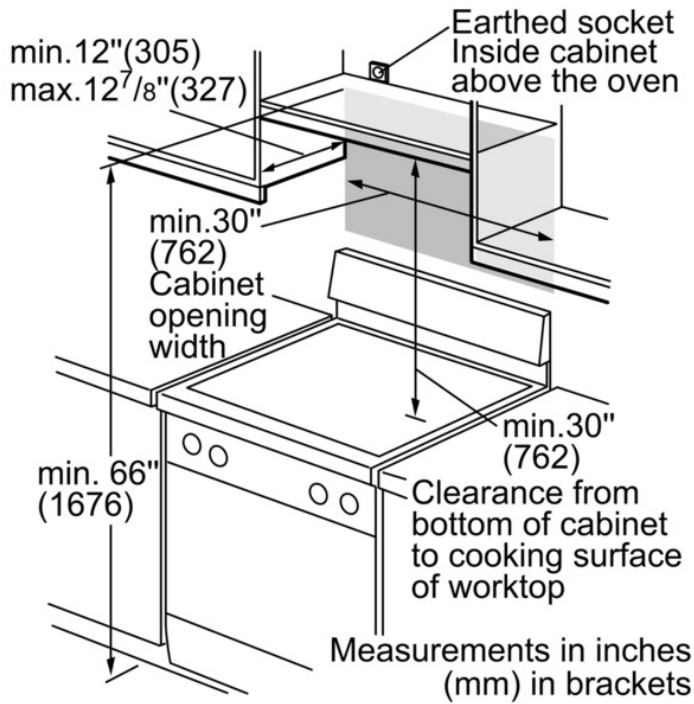
Notes: All height, width and depth dimensions are shown in inches. *Please refer to installation instructions prior to making cutout. BSH reserves the absolute and unrestricted right to change product materials and specifications, at any time, without notice. Consult the product's installation instructions for final dimensional data and other details. Applicable product warranty can be found in a accompanying product literature or you may contact your account manager for further details.

For more information on our entire line of products, go to boschappliances.com or call 1-800-944-2904.
Copyright ©2013 BSH Home Appliances Corporation. All rights reserved. Bosch is a registered trademark of Robert Bosch GmbH.

Litho Date: 04/2013



30" Over-the-Range Microwave
300 Series - Stainless Steel
HMV3051U



Features

Max. Microwave power (W)	1000
Number of Power Levels	10
Turntable	Yes
Turntable diameter (in)	13 1/2
Heating type	Microwave
Cavity material	Lacquered
Door opening	Handle
Clock / Timer	Yes
Max. extraction rate (CFM)	300
Maximum output recirculating air	
Ventilation Power Levels	2
Type of Filter	
Type of lights	Bulb
Number of lights	2
Included accessories	

Technical Specification

UPC code	825225879046
Product color	Stainless steel
Alternative colors available	HMV3021U, HMV3061U
Watts (W)	1550
Current (A)	15
Volts (V)	120
Frequency (Hz)	60
Approval certificates	UL
Power cord length (in)	
Plug type	120V-3 prong
Required cutout size (HxWxD) (in)	16 1/2" x 30" x 12 7/8"
Overall appliance dimensions (HxWxD) (in)	16 1/2" x 29 7/8" x 15"
Product packaging dimensions (HxWxD) (in)	20.07 x 33.26 x 19.29
Net weight (lbs)	54
Gross weight (lbs)	62

Notes: All height, width and depth dimensions are shown in inches. *Please refer to installation instructions prior to making cutout. BSH reserves the absolute and unrestricted right to change product materials and specifications, at any time, without notice. Consult the product's installation instructions for final dimensional data and other details. Applicable product warranty can be found in a accompanying product literature or you may contact your account manager for further details.

For more information on our entire line of products, go to boschappliances.com or call 1-800-944-2904.
Copyright ©2013 BSH Home Appliances Corporation. All rights reserved. Bosch is a registered trademark of Robert Bosch GmbH.

Litho Date: 04/2013

